



HC15 SPECIFICATIONS

BATTERY DESIGN

- Absorbent glass mat (AGM) technology
- 12V battery VRLA
- Can be mounted in any orientation except inverted.
- US DOT and IATA certified non-spillable
- Sealed Construction (Non-Spillable Battery)
- Can be fitted with TP brass automotive adaptor on request
- Shipped fully charged - just install and go!
- Suited for repeated discharges such as running your vehicle with winches or other electrical accessories ~

PERFORMANCE FEATURES

- ✧ PHCA: 370A at 80°F (27°C) for 5 seconds
- ✧ PCCA: 210A at 0°F (-18°C) for 5 seconds
- ✧ CCA: 156A at 0°F (-18°C)
- ✧ CA/MCA: 190A at 32°F (0°C)
- ✧ HCA: 220A at 80°F (27°C)
- ✧ Reserve capacity: 25 minutes
- ✧ Short circuit current: 880A
- ✧ Operation temperature range: -5°F (-15°C) to 122°F (50°C)

Nominal Dimensions

Length		Width		Height		Total Height		Weight	
mm	in	mm	in	mm	in	mm	in	kg	pound
200±2	7.87	78±2	3.07	134±2	5.25	138±2	5.43	5.55	12.24

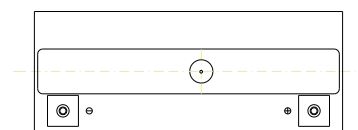
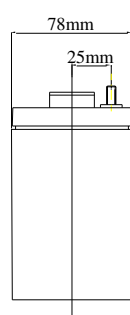
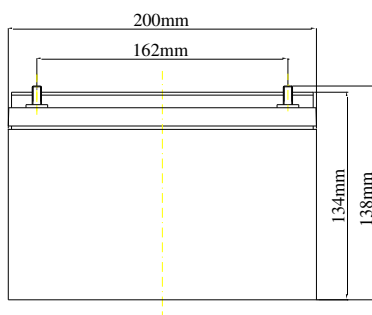
HIGH RATE DISCHARGE AT 77°F (25°C)

5 sec.	10 sec.	20 sec.	30 sec.
370A	335A	287A	255A

EXTENDED DISCHARGE AT 77°F (25°C) TO 10.02V

5min	15min	1hr	3hr	5hr	10hr	20hr
70.7A	32.4A	10.9A	4.29A	2.73A	1.45A	0.76A

PHYSICAL CHARACTERISTICS



Terminal: M6M
unit:mm

