



ES0.8-12

SPECIFICATIONS

Nominal Voltage (V) 12V

Nominal Capacity

20 hour rate (0.035A to 10.50V)	0.7Ah
10 hour rate (0.067A to 10.50V)	0.665Ah
5 hour rate (0.119A to 10.20V)	0.595Ah
1C (0.7A to 9.60V)	0.397Ah
3C (2.1A to 9.60V)	0.28Ah

Weight Approx. 0.8Lbs. (364g)

Internal Resistance (at 1KHz) Approx. 125 mΩ

Maximum Discharge Current for 5 seconds : 10.5A

Operating Temperature Range

Charge	-15°C (5°F) to 40°C (104°F)
Discharge	-15°C (5°F) to 50°C (122°F)
Storage	-15°C (5°F) to 40°C (104°F)

Charge Retention (shelf life) at 20°C (68°F)

1 month	92%
3 months	90%
6 months	80%

Charging Methods at 25°C (77°F)

Cycle Use : Charging Voltage 14.4 to 15.0V
Coefficient -5.0mv / °C / cell
Maximum Charging Current : 0.21A

Standby Use : Float Charging Voltage 13.50 to 13.80V
Coefficient -3.0mv / °C / cell

Case Material : ABS UL94 HB

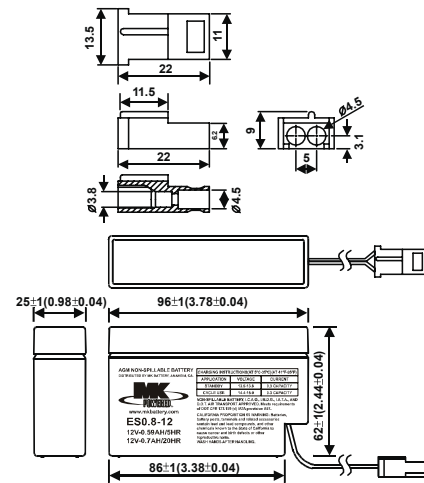
Terminal : WIRE

Maintenance-Free Rechargeable Sealed Lead-Acid Battery

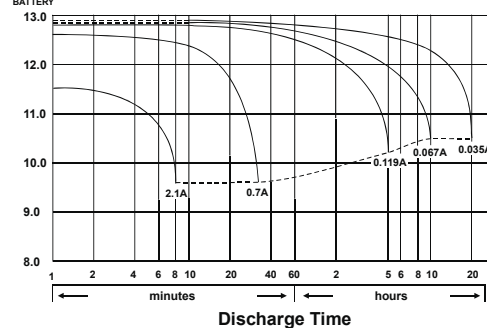


DIMENSIONS

mm (inch)



(V) FOR 12V BATTERY Discharge Time VS. Discharge Current (25°C)



MK Battery

1631 South Sinclair Street • Anaheim, California 92806

Toll Free: 800-372-9253 • Fax: 714-937-0818 • E-mail: sales@mkbattery.com

