



HC110 SPECIFICATIONS

BATTERY DESIGN

- Absorbent glass mat (AGM) technology
- 12V battery VRLA
- Can be mounted in any orientation except inverted.
- US DOT and IATA certified non-spillable
- Sealed Construction (Non-Spillable Battery)
- Can be fitted with TP brass automotive adaptor on request.
- Shipped fully charged - just install and go!
- Suited for repeated discharges such as running your vehicle with winches or other electrical accessories.

PERFORMANCE FEATURES

- ✧ PHCA: 2200A at 80°F (27°C) for 5 seconds
- ✧ PCCA: 1540A at 0°F (-18°C) for 5 seconds
- ✧ CCA: 1100A at 0°F (-18°C)
- ✧ CA/MCA: 1360A at 32°F (0°C)
- ✧ HCA: 1560A at 80°F (27°C)
- ✧ Reserve capacity: 230 minutes
- ✧ Short circuit current: 5000A
- ✧ Operation temperature range: 5°F (-15°C) to 122°F (50°C)

Nominal Dimensions

| Length | | Width | | Height | | Total Height | | Weight | |
|--------|-------|-------|------|--------|------|--------------|------|--------|-------|
| mm | in | mm | in | mm | in | mm | in | kg | pound |
| 330 | 12.99 | 173 | 6.81 | 214 | 8.43 | 237 | 9.33 | 34.6 | 76.1 |

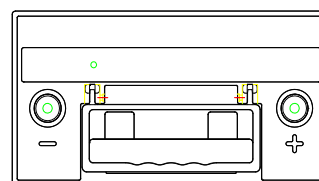
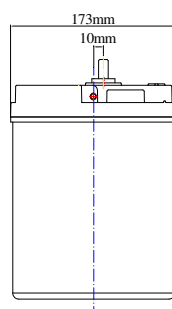
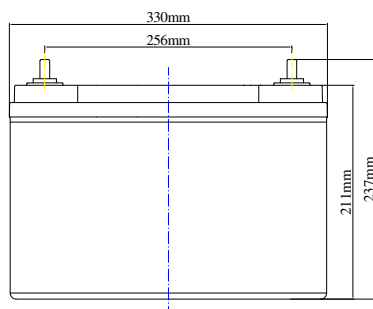
HIGH RATE DISCHARGE AT 77°F (25°C)

| 5 sec. | 10 sec. | 20 sec. | 30 sec. |
|--------|---------|---------|---------|
| 2200A | 2000A | 1780A | 1590A |

EXTENDED DISCHARGE AT 77°F (25°C) TO 10.02V

| 5min | 15min | 1hr | 3hr | 5hr | 10hr | 20hr |
|------|-------|-------|-----|-------|-------|------|
| 414A | 208A | 69.5A | 29A | 19.2A | 10.9A | 5.6A |

PHYSICAL CHARACTERISTICS



Terminal Type: M10M

