

# Model: HC75



## HIGH RATE DISCHARGE AT 77°F (25°C)

5 sec.	10 sec.	20 sec.	30 sec.
1750A	1540A	1400A	1355A

## EXTENDED DISCHARGE AT 77°F (25°C) TO 10.02V

5min	15min	1hr	3hr	5hr	10hr	20hr
338A	164A	53.5A	19.9A	12.4A	6.5A	3.9A

### BATTERY DESIGN

- Absorbent glass mat (AGM) technology
- 12V VRLA Starting battery
- Sealed Construction (Non-Spillable Battery)
- Can be mounted in any orientation except inverted.
- US DOT and IATA certified non-spillable
- Shipped fully charged - just install and go!
- Suited for repeated discharges such as running your vehicle with winches or other electrical accessories

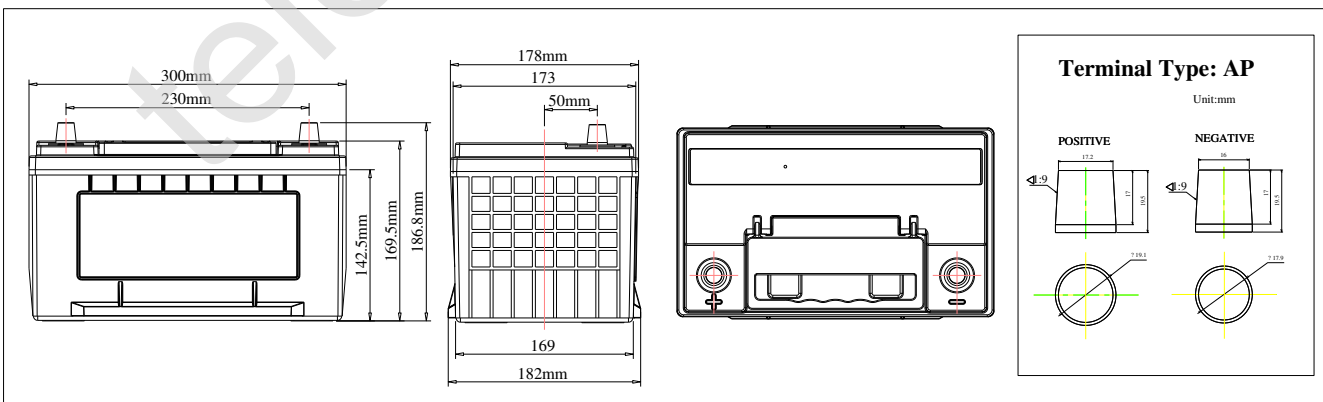
### PERFORMANCE FEATURES

- PHCA: 1750A at 80°F (27°C) for 5 seconds
- CCA: 930A at 0°F (-18°C)
- CA/MCA: 1070A at 32°F (0°C)
- HCA: 1350A at 80°F (27°C)
- 75AH @20HR at 80°F (27°C):
- Reserve capacity: 142 minutes
- Short circuit current: 3500A
- Operation temperature range: -5°F (-15°C) to 122°F (50°C)

### NOMINAL DIMENSIONS

Length		Width		Height		Total Height		Weight	
mm	in	mm	in	mm	in	mm	in	kg	pound
300	11.81	182	7.17	169.5	6.67	186.5	7.34	25.0	55.00

### PHYSICAL CHARACTERISTICS



### BATTERY CHARGING

Cycle use: 14.4-15.0V/25 , Temperature Compensation factor: -4mV/cell/ ;

Float use: 13.5-13.8V/25 , Temperature Compensation factor: -3mV/cell/ .